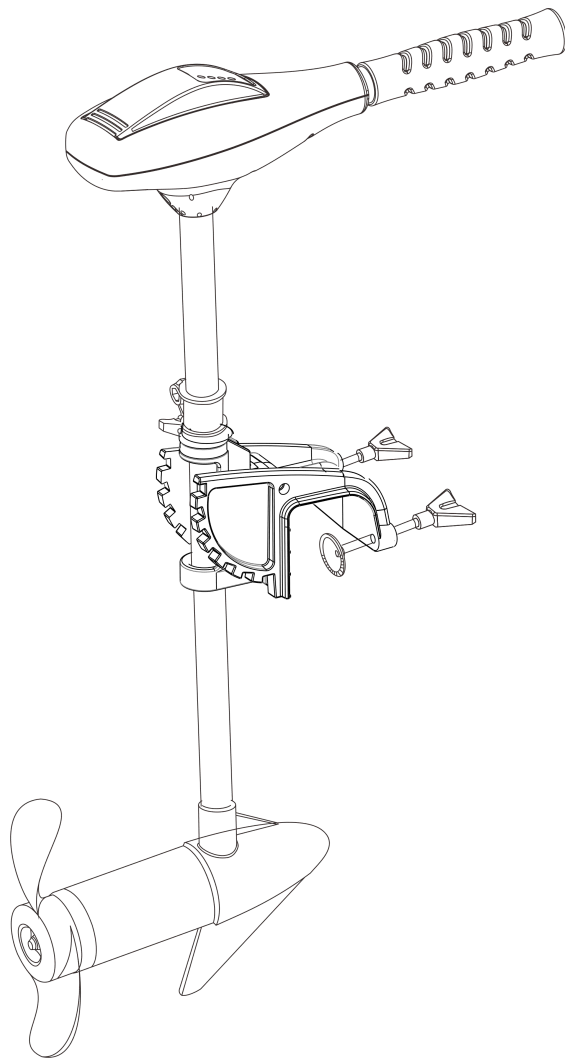


# AMAREW<sup>®</sup>

## MARINE

### TROLLING MOTOR USER MANUAL



Read this manual carefully before using the trolling motor

## Table of contents

General information	p.2
Wiring and battery recommendation	p.2
Safety information	p.2
First time running	p.3
Battery connection method	p.3
Attaching the motor to your boat	p.3
Depth adjustment	p.4
Steering	p.4
Speed control	p.4
Replacing the propeller	p.6
Finn installment	p.6
Handle installment	p.7
Troubleshooting	p.7
Maintenance	p.8
Storage	p.8
Warranty	p.8-9

## General information

Thank you for purchasing an AMAREW® trolling motor and we wish you will enjoy using it. AMAREW® trolling motors are designed and developed by professional engineering teams. After years of effort, they have succeeded in producing trolling motors which vary in power level from 30LBS to 86LBS in order to fit various customers' requirements and provide different experiences. Please read and retain this manual before using the trolling motor. The manual contains information that describes the procedure for a safe operation and the daily maintenance of your trolling motor. A safe operation will prevent personal injuries and product damage.

## Wiring and battery recommendation

Recommended battery(ies): 12-volt deep cycle battery or marine battery (24-volt for 86LBS), the battery should at least have an 50-ampere rating or higher. To extend running time an additional battery can be used. For more information, see the section on battery connection method.

**Warning: Be sure that the switches of the motor are in the OFF position before connecting to the battery(ies).**

**Electrical arcing near a battery could ignite hydrogen gas and cause the battery to explode.**

## Safety information

Do not allow children (<16 years old) to operate the trolling motor.

Do not modify the unit in any way or add accessories not intended for this product.

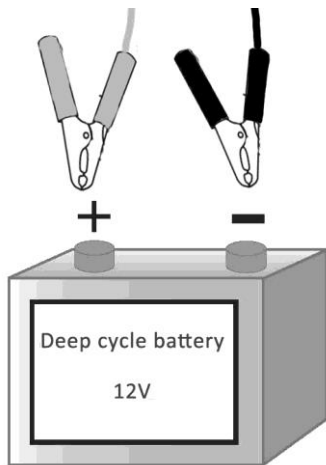
Never fully submerge the unit. If the unit is accidentally submersed, disconnect the battery(ies) and leave it to dry.

**Warning: Always disconnect the power from the motor when replacing the propeller, removing debris around the propeller, charging the battery(ies), transporting the boat or when the motor is not in use.**

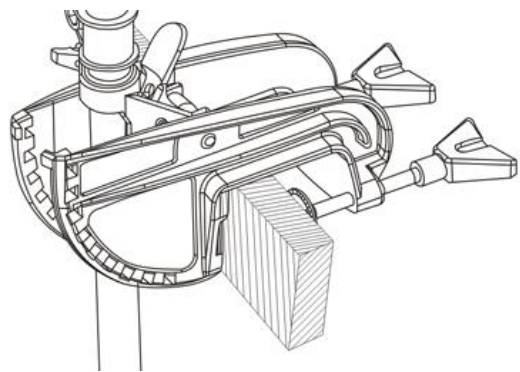
## First time running

### Battery connection method

Before connecting the motor's cables to the battery terminals, ensure that all switches are in the OFF position and be sure to stand clear of the propeller. Connect the red cable to the positive (+) terminal and the black cable to the negative (-) terminal. Make sure that the terminals are clean before doing so. A clean connection will minimize power wastage and gives maximum power from the battery. ( A ) The battery should be kept in a well-ventilated location. We recommend using a special deep cycle marine battery for an optimal performance.



( A )



( B )

### Attaching the motor to your boat

Attach the motor to the stern of the boat and tighten both mounting bolts securely while taking care not to over-tighten. To adjust the angle of the motor after you attached it to the stern of the boat, hold the motor head with one hand and depress the positioning pin at the top of the mounting bracket with your other hand. Press and hold the positioning pin until the desired angle has been reached. When reaching the desired angle you can release the pin and ensure the mechanism locks securely. ( B )

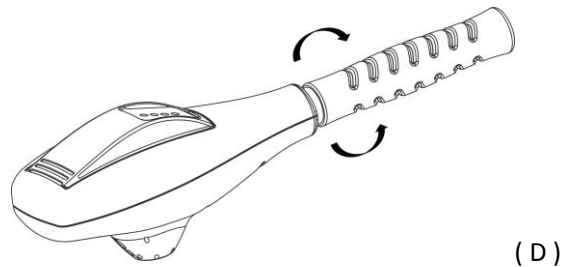
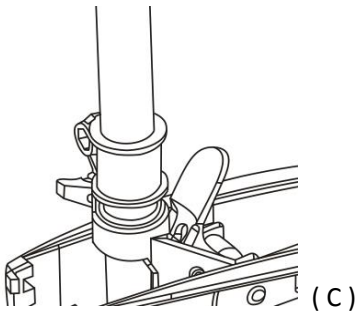
**Warning: Before the installation, make sure the area between the column and the bracket is clear.**

### Depth adjustment

Hold the motor shaft with one hand, loosen the depth adjustment screw and set the motor to the desired depth.

After the desired depth is reached, retighten the adjusting screw securely. ( C )

**Warning: The motor can only be used in waters with a depth of at least 80 cm.**



### Steering

To adjust the steering counter-force, simply loosen or tighten the counter force bolt. The ideal setting is the one where the counter force bolt is just tight enough so that the boat will steer in the direction you are aiming without the need for continual correction.

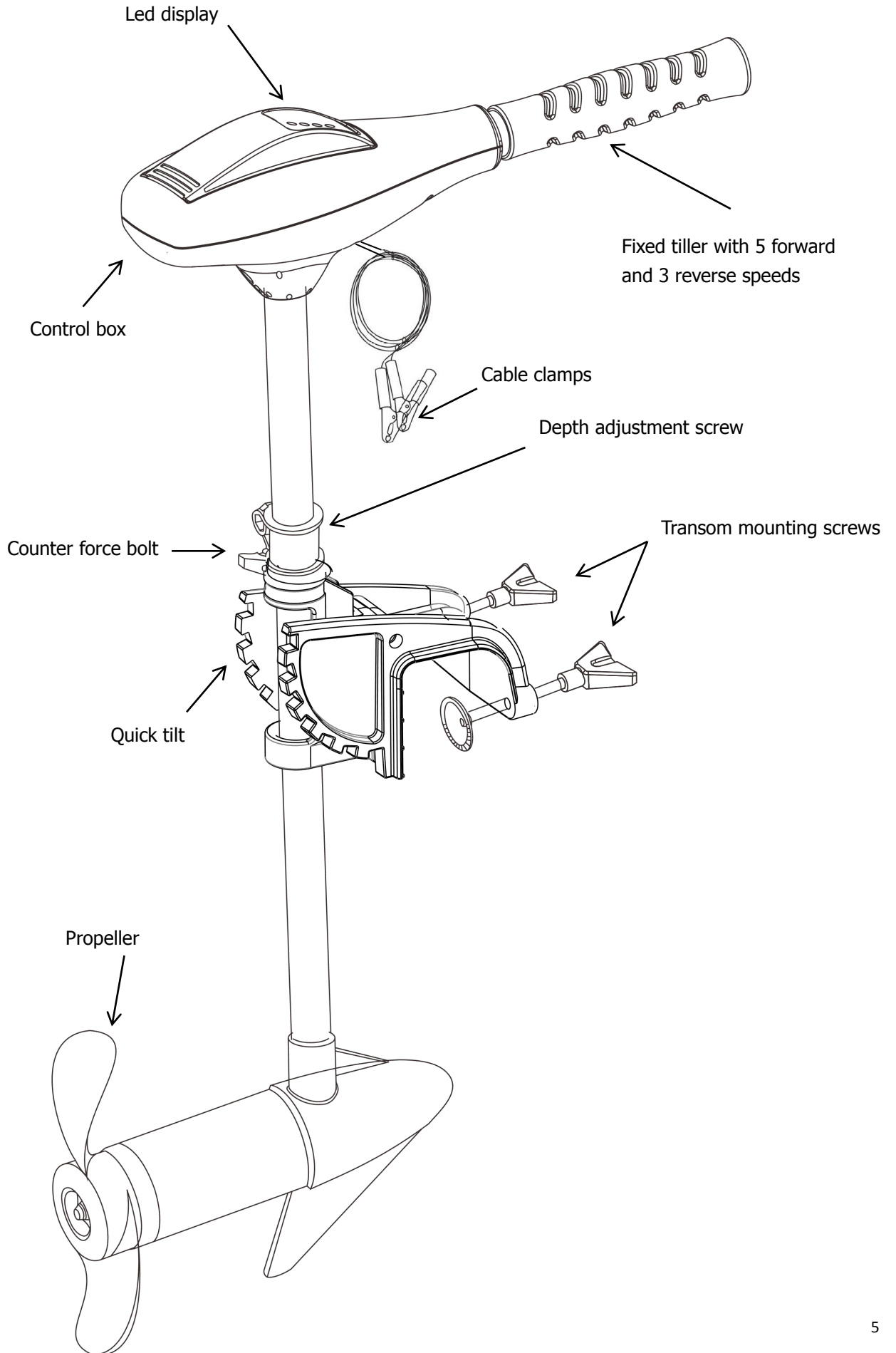
### Speed control

The speed control, featuring five forward and three reverse speeds, is integrated into the handle. Turn the handle clockwise to move forward and anti-clockwise to go backwards. When you don't want to move, set the handle into neutral. No power will be used in this setting. ( D )

### Warnings:

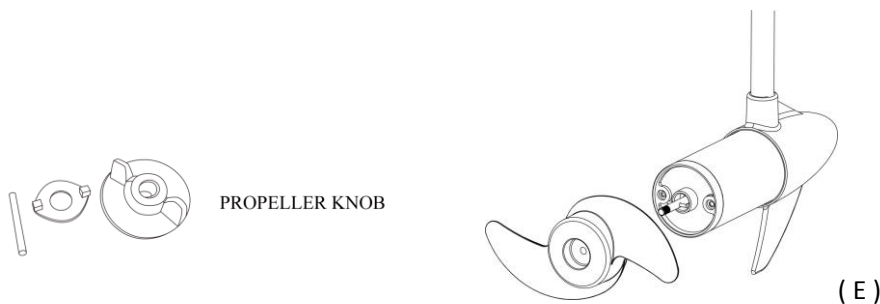
**Remember always to disconnect from battery(ies) once the motor leaves the water as a rotating propeller can cause personal injury.**

**Remember to wash the motor by using fresh water after used it in salt water as it can greatly reduce the possibility of corrosion.**



## Replacing the propeller

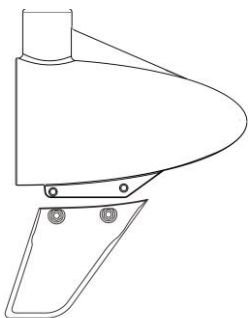
Hold the propeller blade and loosen the propeller knob. It can only be done counter clock-wise and manually without tools. Pull the propeller straight off. If the propeller is stuck, grasp one blade with one hand and tap lightly on the backside of the opposite blade with a rubber mallet until the propeller comes off. If the propeller pin is bent or broken, replace it. Align the new propeller with the propeller pin. Re-install the propeller knob and tighten it manually and clock-wise. ( E )



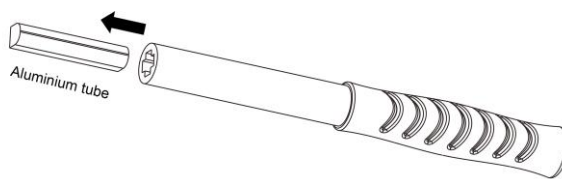
### Warnings:

**Make sure that the motor has been disconnected from the battery(ies) before replacing the propeller.**

**Do not strike the propeller pin with a hammer to remove the pin. Damaging the motor in this way will not be covered by warranty.**



( G )



( H )

## Fin installment

Take the plastic fin out of the accessory box. Disconnect the screws. Find the screw holes on the front endbell. Keep the fin and screw holes aligned. Insert the fin and re-tighten the screws. Make sure the screws are properly tighten to prevent the fin from loosening. ( G )

## Handle installment

Find the sticker securing the marble on the aluminum pipe and carefully tear it off. Keep the handle aligned with the aluminum pipe. Adjust the direction in accordance with the plastic part on top of the aluminum pipe. Adjust the angle to push the aluminum pipe into the handle. Lightly press down the marble to get it through the handle. Once you hear the “click” and the handle is pushed to the end, the handle is fully in place.

**Warning: This is a one-way installment. Once installed, DO NOT attempt to pull out the handle again, or the self-locking unit can be damaged. ( H )**

## Troubleshooting

Possible cause	Solution
Speed loss	1: Check for line or weed on the propeller.
	2: Check the battery status.
	3: Check the terminals on the battery(ies).
Motor noise/shake	1: Check for line or weed on the propeller.
	2: Check whether the propeller is secure and not damaged.
	3: Check the shaft to ensure it is not bent. Detach the propeller and run the motor visually to ensure the shaft is not shaking. If the shaft is damaged, contact your retailer.
Loss of speed setting	1: Check all wiring connections.
	2: The switch in the motor may be burned, contact your retailer.
Tight steering	1: Loosen the counter-force screw, apply lubricant and readjust.



## **Maintenance**

At the end of the day, wipe the motor with a cloth soaked in warm water and then lightly rinse the unit with clean water. Always check whether the propeller is clear of line or weed. Regularly check all nuts, bolts and screws and lubricate all moving parts with an aerosol lubricant. Clean terminal connections regularly and check for frayed wires or loose connections.

## **Storage**

When storing the motor, lubricate all moving parts and screws and store it in a well-ventilated, dry area. Do not leave the motor outside in the winter for long periods, as this will damage the permanent magnet in the lower unit.

## **Warranty**

### **Coverage duration**

This limited warranty offers coverage for one or two years, depending on the specific parts for which warranty is requested (see the table on the next page). The only reference for the coverage period is the serial number, which is printed on the control box. The repair or replacement of parts or the provision of service under this warranty, do not extend the duration of the warranty compared to the original expiration date.

### **Conditions that must be met in order to obtain warranty coverage**

Warranty coverage is only available from an authorized dealer of the product in the country where the purchase is made. Routine maintenance, discussed in the operation and maintenance chapters in this manual, is mandatory to maintain warranty coverage.

**How to obtain warranty coverage**

Please return the product to an authorized dealer for inspection if the engine is not working properly. A proof of purchase must be shown in order to obtain warranty. The dealer then takes care of inspection and any necessary repairs. In principle, the buyer has to pay for all related transportation and / or travel time. If the services provided are not covered by the limited warranty, the buyer must pay for all labor, all material and all other expenses related to the provided service.

**What is not covered**

This limited warranty does not cover routine maintenance, adjustments, normal wear, damage due to misuse, abnormal use, use of the product that is not recommended (recommended use is specified in the sections 'First time running', 'Fin installment', 'Handle installment' and 'Maintenance'), renunciation, immersion, incorrect installation (correct installation techniques are specified in the sections 'First time running', 'Fin installment' and 'Handle installment'), improper handling, use of an accessory or part that is not made or sold by us, or modification / removal of parts.

The following table provides information about which parts are covered by warranty and for which period.

Row	Warranty parts	Warranty period
1	Motor rotor, motor magnet and other electrical parts	2 Years
2	Speed controller and carbon brush holder	1 Year
3	All other parts not mentioned in row 1 and 2	No warranty

**AMAREW®**  
**— MARINE —**